

# Cadman

IRRIGATION & AGRICULTURAL MACHINERY



Title

## TR-MAN-BOOM-UG01

Upgrade - Swivel

Creation

13-OCT-2011  
by  
Ivon LeBlanc

Revision

## Boom Swivel

This instruction sheet will assist in the Cadman Folding Manure Boom Swivel upgrade.



**ONLY** perform this upgrade or any other maintenance you must shut down the machine and ensure that it is in a non-loaded condition. Do not pump fluid through the hose and dismount unit from the tractor. Failure could result in serious injury to you and/or spectators.

## Kit Contents

**IR-CAM-600DS**  
QTY 1



**13-891-A**  
QTY 2



*Figure 1 - Kit Contents*

*img-00562*

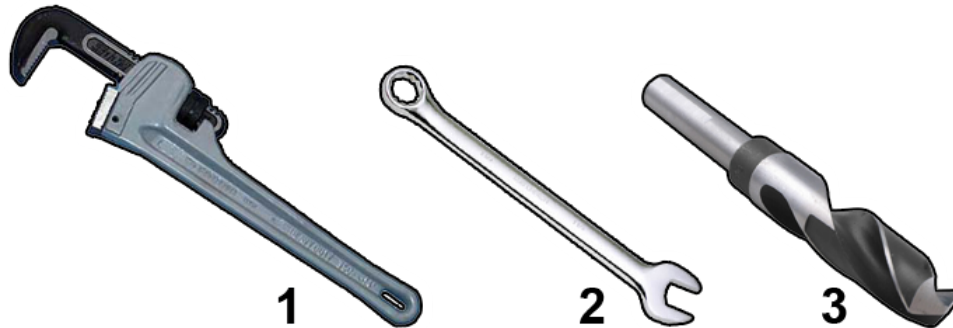


**Before starting this upgrade, ensure that you have a complete set of required parts.**

**You will require at least two (2) people to complete this upgrade.**

**A lifting tool will also be required.**

## Tools Required



*Figure 2 - Tools required*

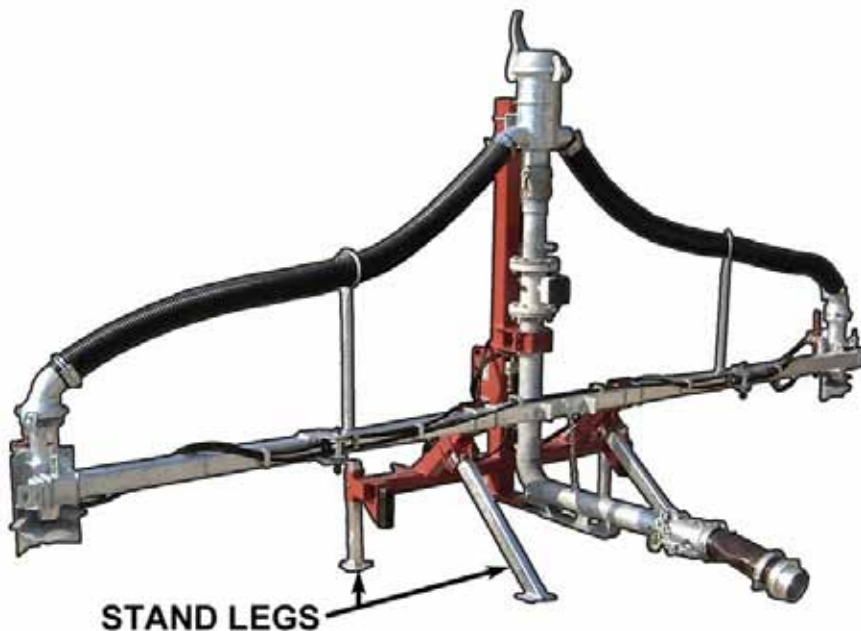
*img-00563*

1. Large Pipe Wrench    2. Various wrenches and sockets    3. 1 1/8" Drill Bit

**Complete the following instructions to upgrade your machine.**

### Step 1

Ensure the machine is resting on the stand legs installed on the unit.



*Figure 3 - Rest Machine on Stand Legs*

*img-00564*

### Step 2

Remove galvanized drag elbow, existing coupler, and flow meter *(if equipped)*.



**Use proper lifting procedures to prevent injury. Components of this unit are heavy and will require lifting tools and extra help. Do not attempt this step without assistance. Failure to follow this will result in injury.**

### Step 3

You must use your 1 1/8" diameter drill bit to enlarge the base hole of the main boom weldment.

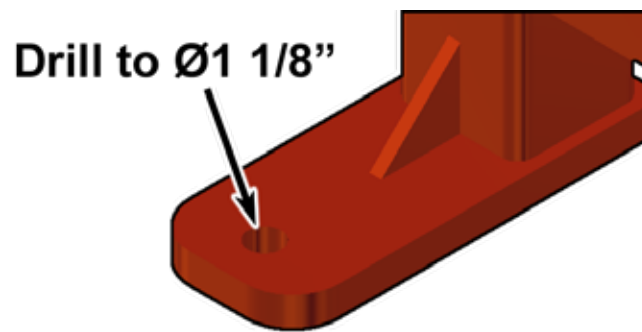


Figure 4 - Enlarge Base Hole

img-00565

### Step 4

Reinstall the lower boom section. Install the provided anti-rotation plates *(p/n 13-891-A)* before installing the drag elbow clamp. The bearing halves must be separated by the anti-rotation plate.

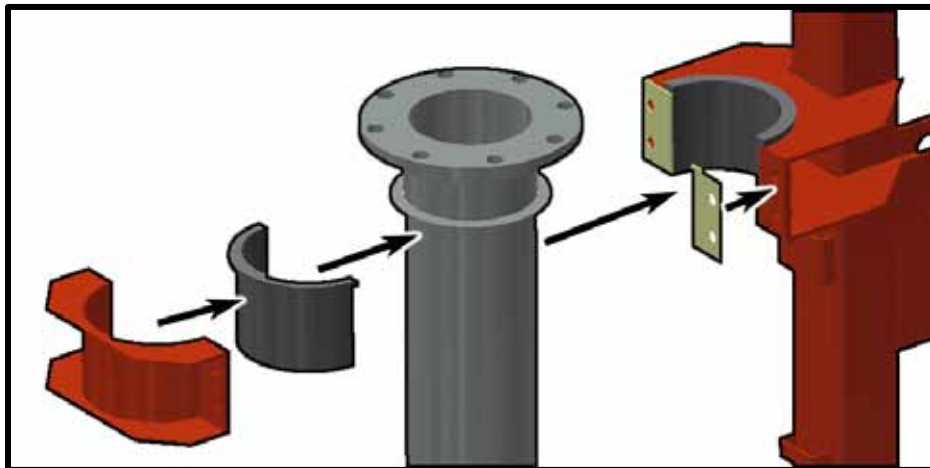


Figure 5 - Reinstall Lower Boom Section

img-00566

**Step 5**

Replace the swivel coupler with the new provided swivel coupler (*p/n IR-CAM-600DS*).

**Step 6**

Tighten all fasteners except for the u-bolts holding the distributor. The u-bolts are to prevent the rotation of the distributor. It is important not to fully tighten the unit.

**Step 7**

Verify the drag elbow is able to rotate freely from side to side. It may be necessary to loosen the u-bolts slightly.

**Congratulations, you have successfully completed the  
Folding Manure Boom Swivel upgrade.**